

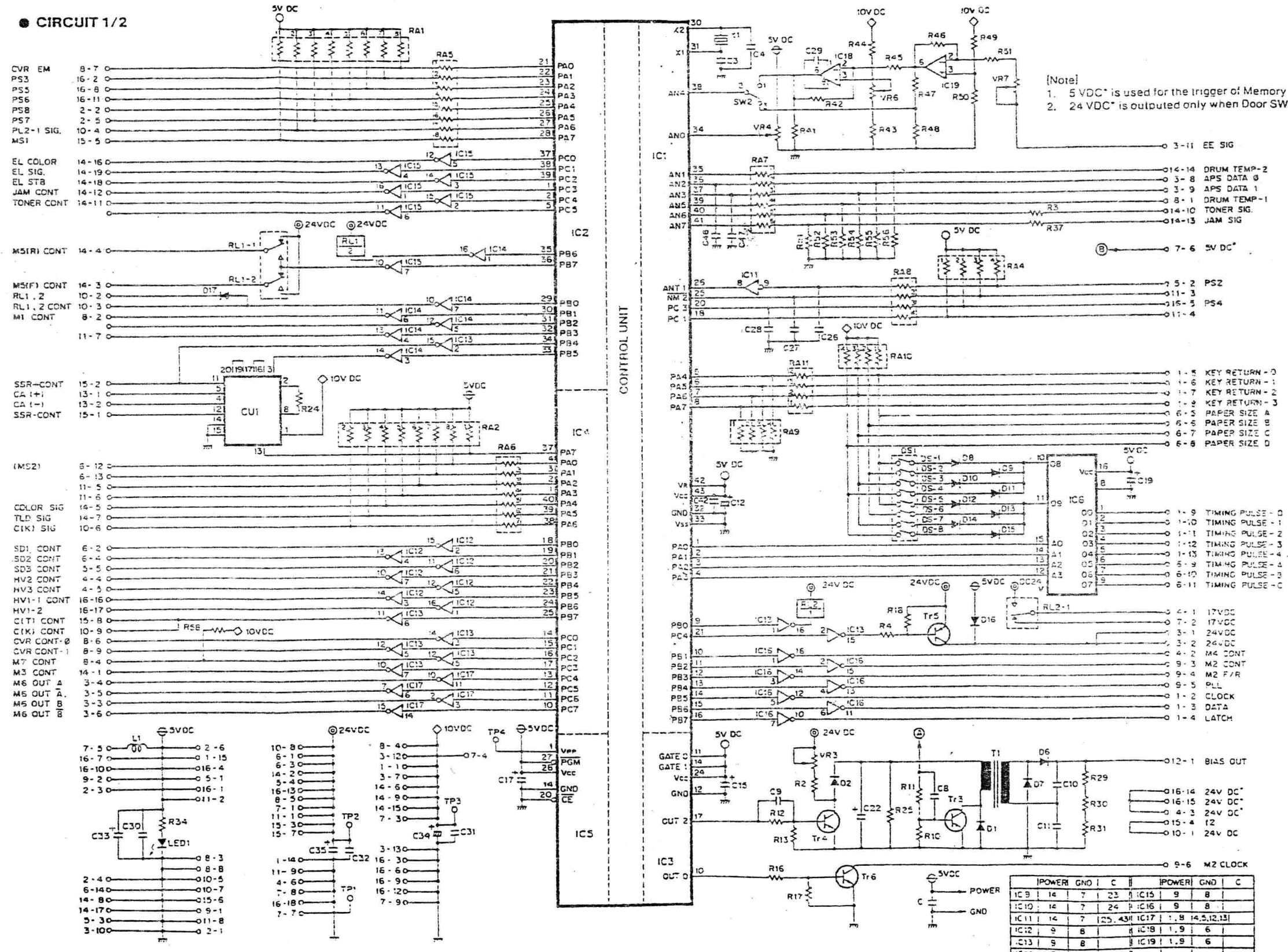
静电复印机电路图集

《Ⅲ》

优美U - B i x 1 8 0 0 Z

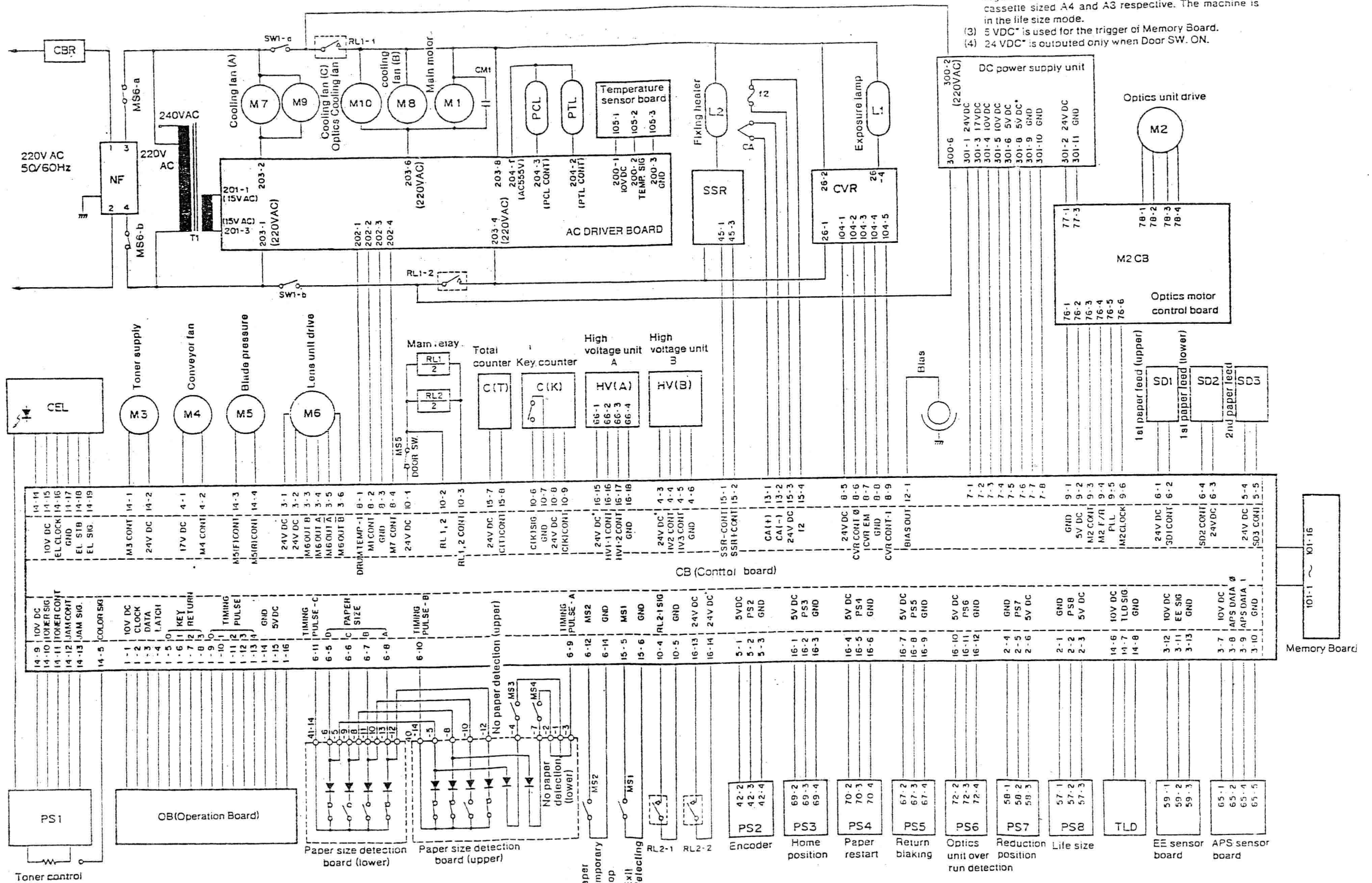
U-BIX 180Z WIRING DIAGRAM

● CIRCUIT 1/2



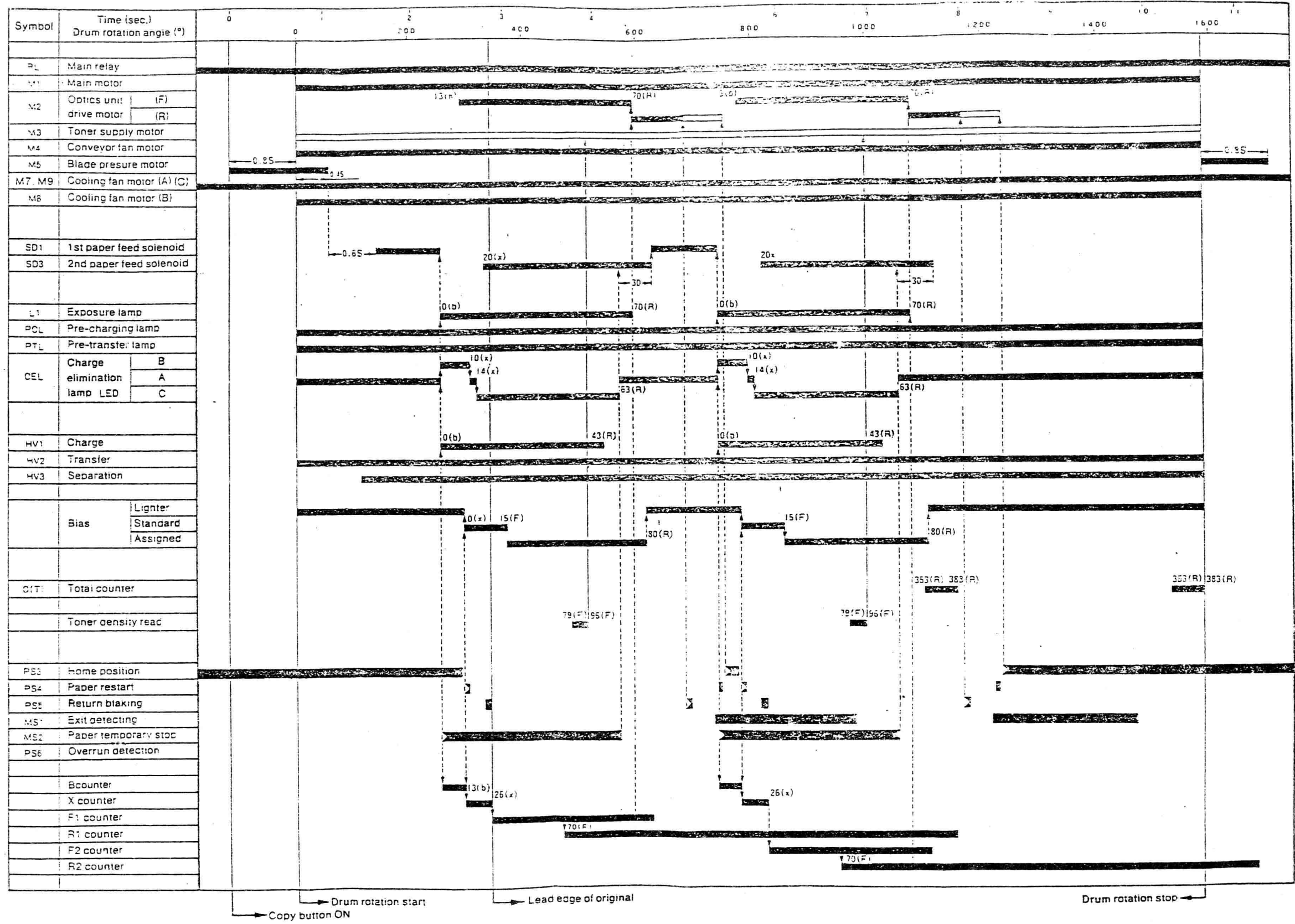
IC	POWER	GND	C	IC	POWER	GND	C
IC3	14	7	23	IC15	9	8	
IC10	14	7	24	IC16	9	8	
IC11	14	7	25, 43	IC17	1, 8	14, 5, 12, 13	
IC12	9	8		IC18	1, 9	6	
IC13	9	8		IC19	1, 9	6	
IC14	9	8					

UBIX 180Z CIRCUIT DIAGRAM

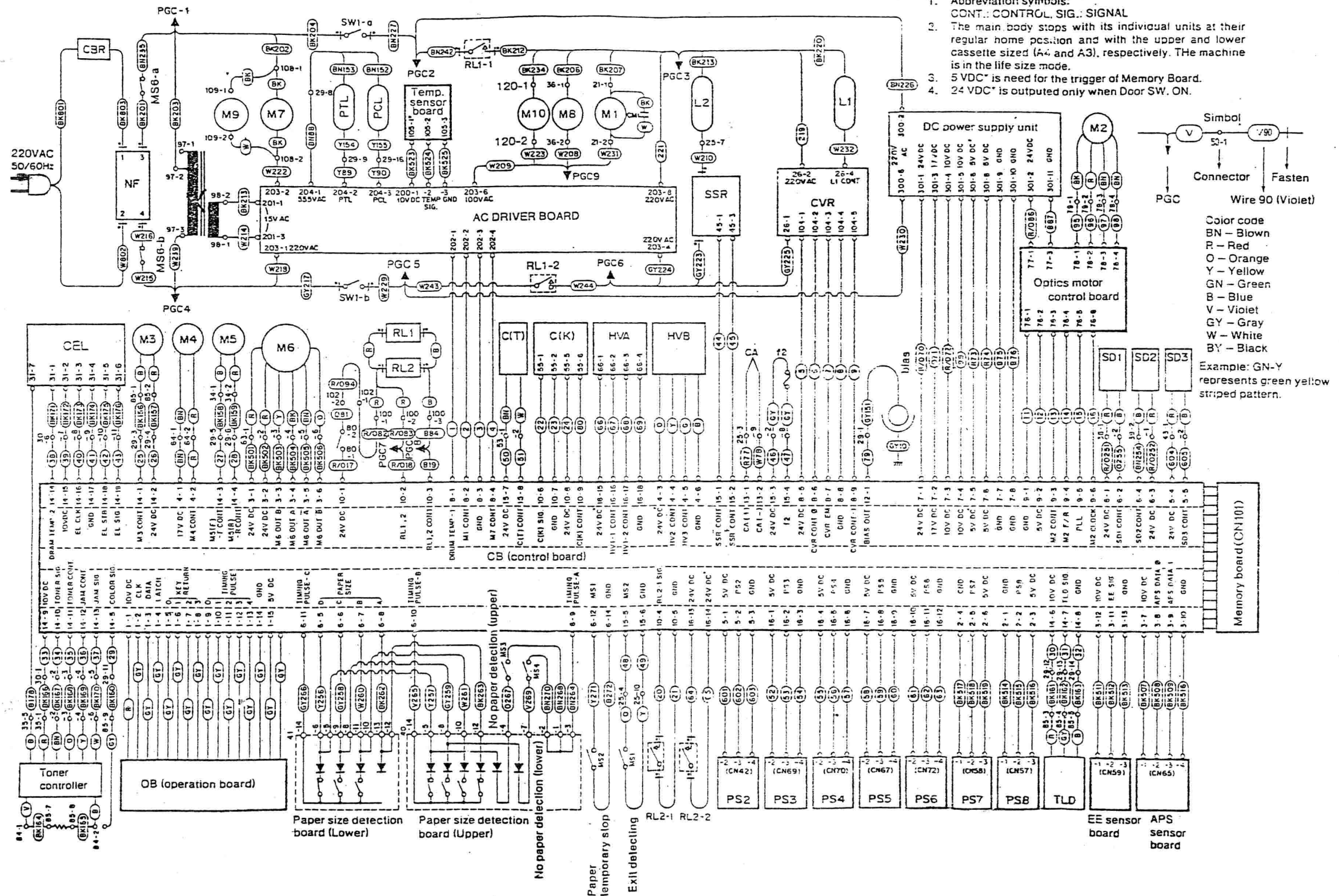


- [Note]
- (1) Abbreviation symbols:
CONT.: CONTROL, SIG. SIGNAL
 - (2) The main body stops with its individual units at their regular home position and with the upper and lower cassette sized A4 and A3 respective. The machine is in the life size mode.
 - (3) 5 VDC* is used for the trigger of Memory Board.
 - (4) 24 VDC* is outputted only when Door SW. ON.

TIME CHART (A4)

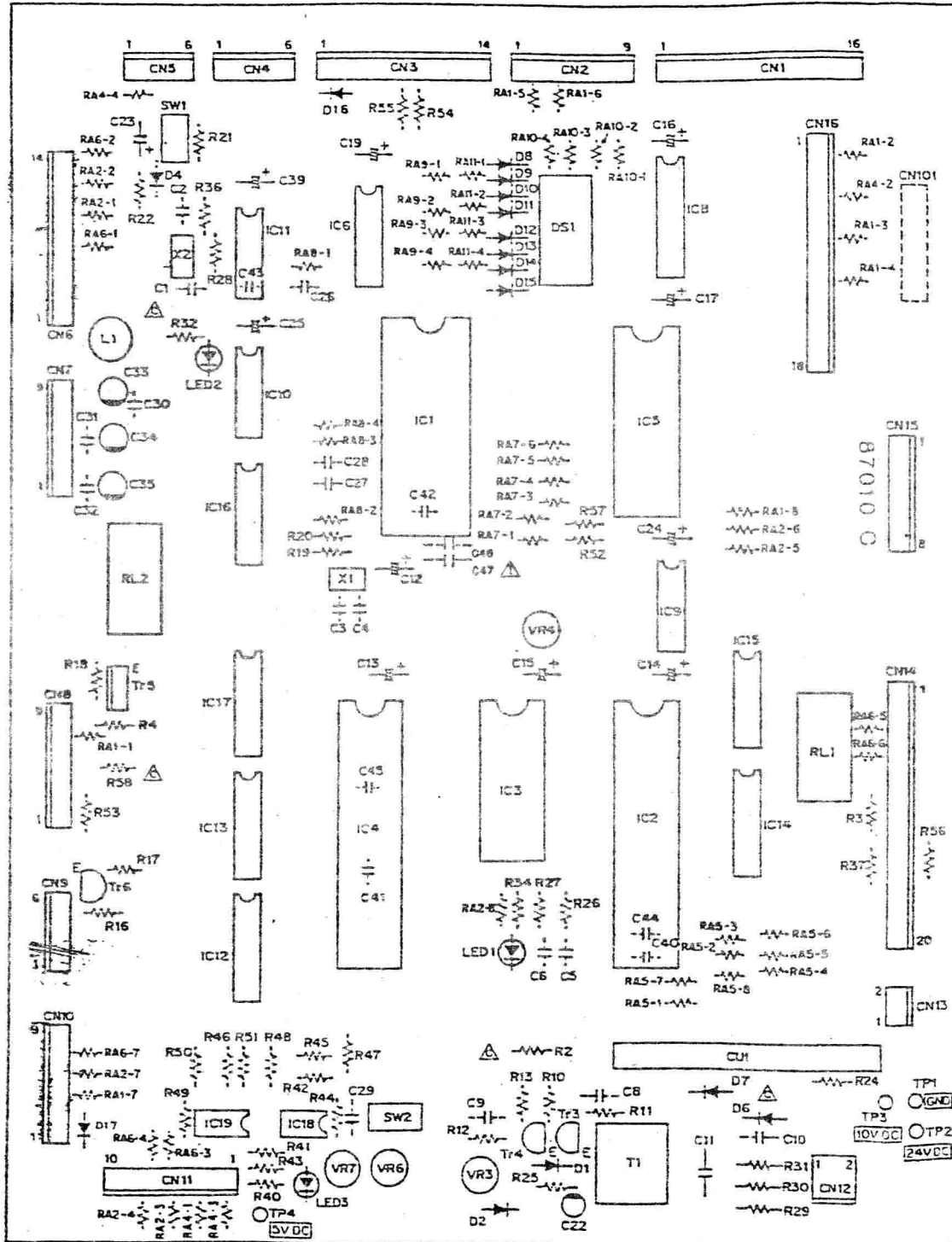


U-BIX 180Z WIRING DIAGRAM



U-BIX 180Z/1800Z CONTROL BOARD WIRING DIAGRAM

● LAYOUT



* The parts marked by dashed lines are fixed on the backs of CB.

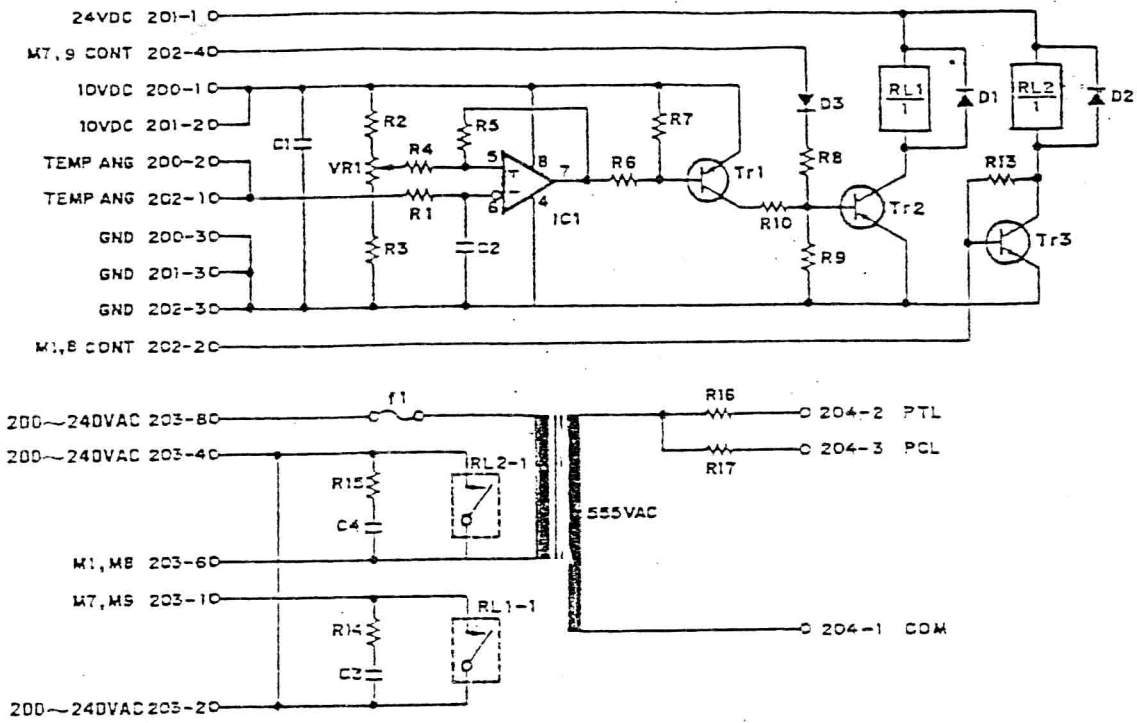
● PARTS LIST

Symbol	Parts No.	Parts name	Maker	Spec or Type	Remarks	Symbol	Parts No.	Parts name	Maker	Spec or Type	Remarks
IC1	2120840601	IC(CPU)	NEC	#PD781D-0911		RA9		Carbon res.		12K Ω 1/8W	
2	E46*81551	IC(RAM I/O DRIVER)	NEC	#PD8155		RA10				1K Ω 1/8W	
3	E46*82531	IC(Counter)	NEC	#PD8253		RA11				33K Ω 1/8W	
4	E46*8255A1	IC(I/O port)	NEC	#PD8255A		CI-4		Ceramic cap.		10PF .16V	
5	3800882601	IC(ROM)	MITSUB	M5L2764A		CI. 5, 30-32				1000PF .16V	
6	E43LS145N1	IC(Decoder)	TI	SN74145N		CI. 18, 20					Amount No
7						CI. 21, 26-28					Amount No
8	E434LS2731	IC(State latch)	TI	SN74LS273P		CS. 3, 40-43		Ceramic cap.		10.01 μ F .16V	
9	E4374LS221	IC(OR)	TI	SN74LS22N		CI0. 11	Z351095001	Film base cap.		10.01 μ F .500V	
10	E4374LS041	IC(Inverter)	TI	SN74LS04		CI2-17, 19	E352370161	Tantalum cap.		3.3 μ F .16V	
11	E46D4069C1	IC(Inverter)	NEC	#PA4069C		CI3-25	E353570161			3.3 μ F .16V	
12-16	E43N2003A1	IC(Driver array)	NEC	#PA2003A		CI21	E311060251	Electrolytic cap.		10 μ F .25V	
17	E4362064P1	IC(Driver array)	TOSHIBA	TD62064B		CI6-23		Ceramic cap.		100 μ F .16V	
18	E45A3130E1	IC(Op-Amp)	RCA	CA3130		CI29				47 μ F .16V	
19	E46A3140E1	IC(Op-Amp)	RCA	CA3140		CI33	E314760161	Electrolytic cap.		47 μ F .16V	
IC11	2220870401	Hybrid IC	TRYSYS			CI34	E314760251			47 μ F .25V	
						CI35	E314760501			47 μ F .35V	
Tr1. 2					Amount No	CI46, 47		Ceramic cap.		470PF .16V	
Tr3. 4, 5	E41C1815Y1	Transistor	TOSHIBA	2SC1815		CI38	E352860161	Tantalum cap.		22 μ F .16V	
Tr5	E4125B673		TOSHIBA	2SB673		CI44, 45	E314710501	Ceramic cap.		470PF .16V	
DI. 2	E317515851	Diode	TOSHIBA	1S1585		VR1. 2, 5					Amount No
DI. 5					Amount No	VR3	E31350051	Variable capacitor		500 Ω 1/2W	
DI. 7	E518F114P1	Diode	NEC	F114P		VR4, VR6	E311269031			10K Ω 1/2W	
DI. 8-15			TOSHIBA	1S1588		VR7	E313000031			50K Ω 1/2W	
DI. 17	E518E10D21		N-laser	10D3		K1	E982PCRDM1	Ceramic resonator	TDK	PCR-3.0M	
LED1-3	E54TLG1021	LED	TOSHIBA	TLR102		K2	E98CSA1001		MURATA	CSA1.0M	
R1. 5-5, 14					Amount No	T1	3800843201	Power transformer		SL23A J1	
R15. 25					Amount No	L1	E989900041	Coil	TDK	15 μ H 3A	
R25. 28, 39					Amount No	SW1	E328600111	Push button SW	ALPS	KEG10904	
R2	E21JF05601	Carbon res.		560 Ω 1/4W		SW2	E822108041	Slide SW	NKK	ASTA P	
RI. 27, 32, 56, 57				560 Ω 1/4W		DS1	E313020021	Die SW	MITSUBI	D R S J 06	
R4. 41, 47				1K Ω 1/4W		RL1	E17829D341	Relay	MITSUBI	H22-DC24V	
R58. 53, 58				1K Ω 1/4W		RL2	E17621D241			H21-DC24V	
R21. 56				1K Ω 1/4W							
R36-13, 16-20				10K Ω 1/4W							
R20. 22, 44				10K Ω 1/4W							
R24				5.6K Ω 1/4W							
R25				2.2K Ω 1/4W							
R26, 27				51K Ω 1/4W							
R28				1M Ω 1/4W							
R29-31	E21JB43001			3M Ω 1/4W							
R32. 34, 40				330 Ω 1/4W							
R33					Amount No						
R36				100K Ω 1/4W							
R42		Metal film res.		27K Ω 1/4W = 11							
R43		Carbon res.		3K Ω 1/4W							
R45		Metal film res.		10K Ω 1/4W = 15							
R46				182K Ω 1/4W = 15							
R49				3K Ω 1/4W = 11							
R50				2K Ω 1/4W = 11							
R51				6.1K Ω 1/4W = 15							
R54. 55		Carbon res.		51K Ω 1/4W							
RA1. 2, 4		Carbon res.		560 Ω 1/8W							
RA3					Amount No						
RA5-8		Carbon res.		51K Ω 1/8W							

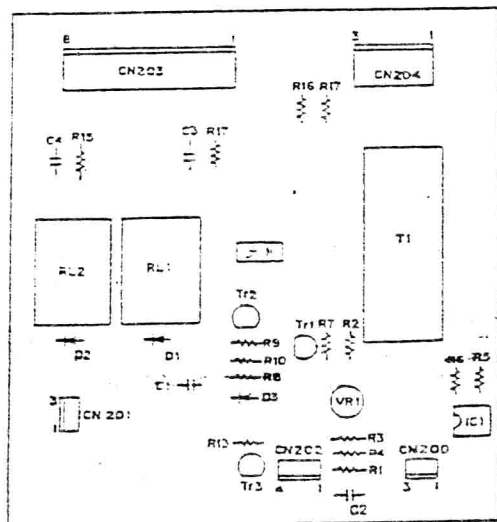
MODEL	MANUAL	REVISED EDITION	DATE	PAGE	METHOD
U-BIX 180Z/1800Z	SARVICEHANDBOOK	△	Oct. 1985	E32-1	ADDITION

U-BIX 180Z AC DRIVER BOARD WIRING DIAGRAM

CIRCUIT



LAYOUT

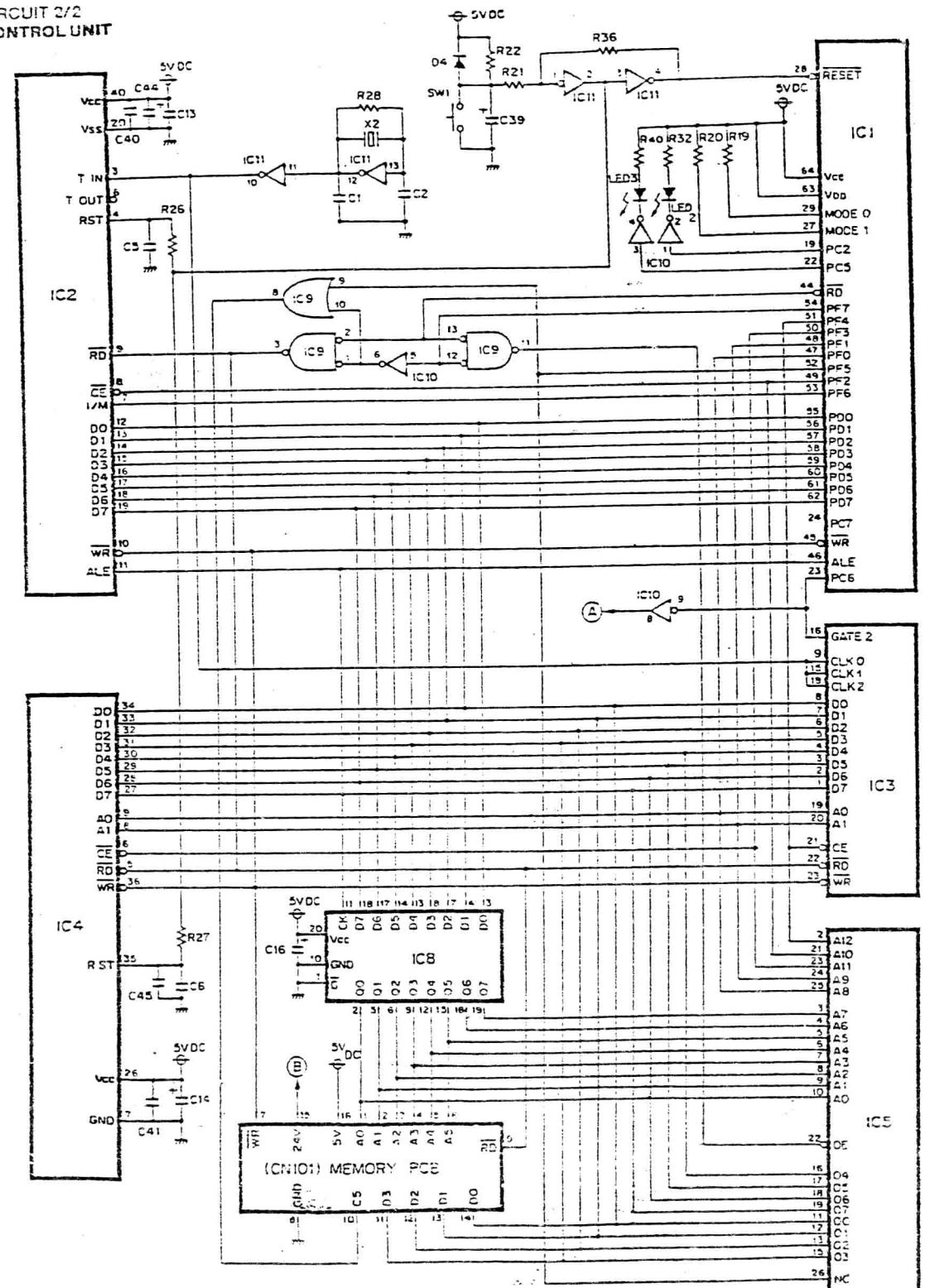


PARTS LIST

Symbol	Part No.	Part Name	Manufacturer	Spec or Type
IC1	1E43LM3903	IC (Comparator)	T	LM 3903
Tr1, 2	1E41A1013Y	Transistor	TOSHIBA	125 A 3015
Tr3	1E41C1813Y	Transistor	TOSHIBA	125 C 1815
D1, 2	1E31151588	Diode	TOSHIBA	150 158E
RL1, 2	1E21281001	Carbon res.		110K Ω, 1/4W
RL2	1E21281330	Carbon res.		12.3K Ω, 1/4W
RL3	1E21281130	Carbon res.		11.3K Ω, 1/4W
RL4	1E21281510	Carbon res.		15.1K Ω, 1/4W
RL5	1E21281100	Carbon res.		11M Ω, 1/4W
RL6, 17	1E21280900	Carbon res.		1100 Ω, 1/2W
RL7, 18	1E21272560	Carbon res.		136K Ω, 3W
VR1	1E21212803	Variable res.		1500 Ω, 1/4W
IC2, 3	1E21109030	Ceramic cap		10.01 μF, 50V
IC4	1E26229630	Film capac.		10.022 μF, 630V
F1	1E61031-22	Fuse		1250V, 0.5A
RL1, 2	1E13681D24	Relay	MATSUBA	AR32123-5
T1	-	Transformer	TOSHIBA	

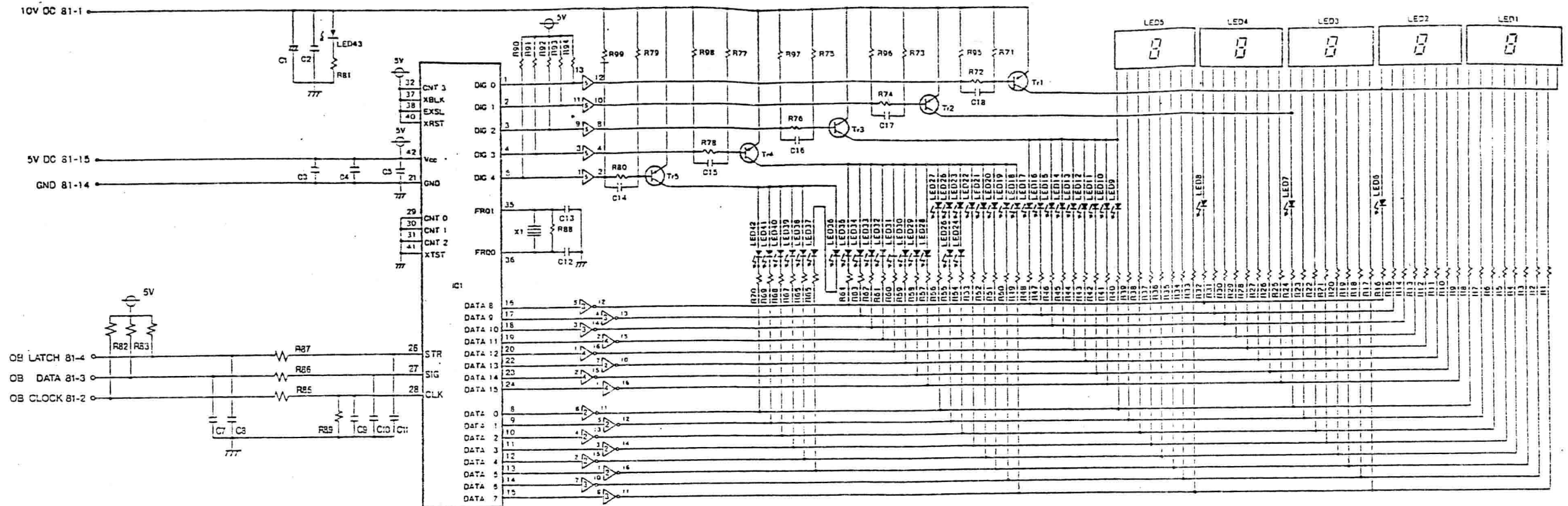
U-BIX 180Z CONTROL BOARD WIRING DIAGRAM

CIRCUIT 2/2 CONTROL UNIT

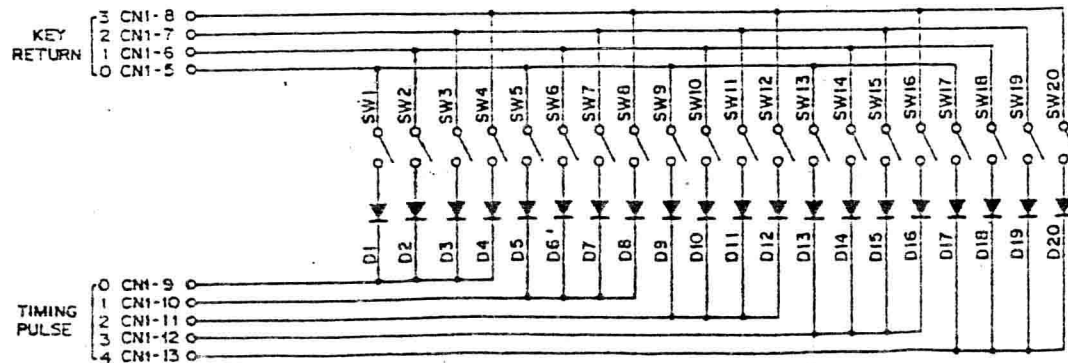


U-BIX 180Z/1800Z OPERATION BOARD WIRING DIAGRAM

● CIRCUIT



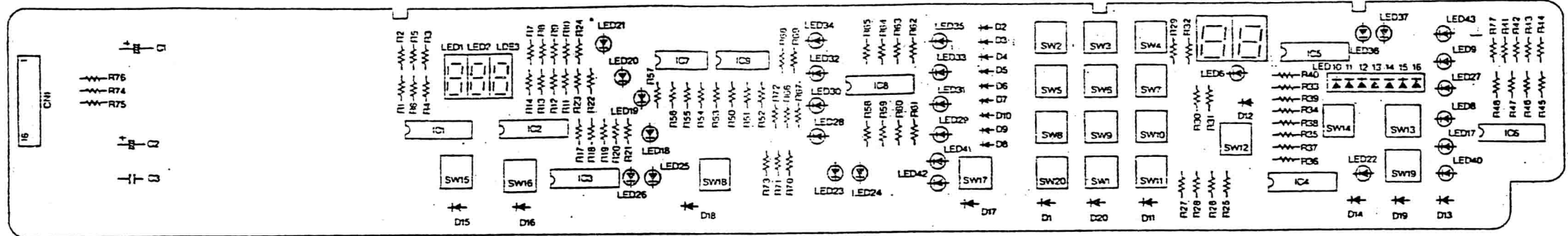
Note, LED7, 38, 39, R24, 66, 67, is intentionally vacant.



SW 1	Setting button	SW11	Stop/clear button	LED1	Magnification 10 ¹	LED12	Light copy A	LED23,24	APS	LED38,39,44	Color
2	Setting button "1"	12	Copy button	2	Magnification 10 ¹	13	Normal copy	25,26	—	40	Thick paper
3	"2"	13	Density selection button (Darker)	3	Magnification 10 ⁰	14	Darker copy A	27	Supply paper	41	Upper cassette
4	"3"	14	(Lighter)	4	Self/count quantity 10 ¹	15	Darker copy B	28	A3	42	Lower cassette
5	"4"	15	Zoom reduction button	5	Self/count quantity 10 ⁰	16	Darker copy C	29	B4	43	Power indicator
6	"5"	16	Zoom enlargement button	6	Wait	17	Call for service	30	A4		
7	"6"	17	Cassette selection button	7,38,39	—	18	Reduction (0.71/0.64)	31	B5		
8	"7"	18	Magnifying selector button	8	Supply toner	19	Reduction (0.82/0.78)	32	A4R		
9	"8"	19	EE	9	Check paper path	20	Life size	33	B5R		
10	"9"	20	Shift	10	Light copy C	21	Enlargement (1.21)	34	SPECIAL		
				11	Light copy B	22	EE	35	B6		

MODEL	MANUAL	REVISED EDITION	DATE	PAGE	METHOD
U-BIX 180Z/1800Z	SERVICE HANDBOOK	▲	Oct. 1985	E33-2	ADDITION

● Layout

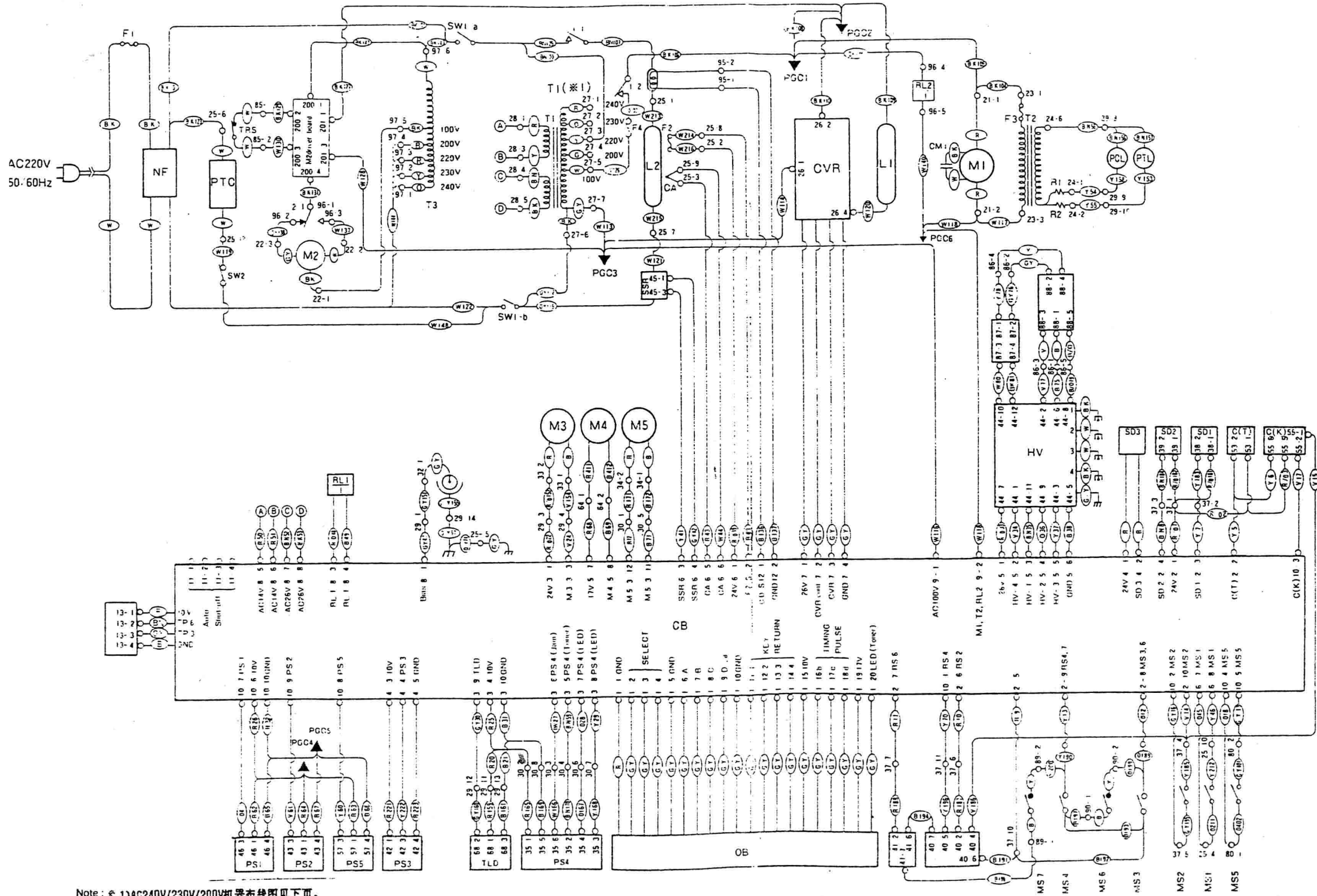


● Parts List

Symbol	Parts No.	Parts name	Maker	Spec or Type	Remarks
IC1~9	E4362801P	IC(Decoder)	TOSHIBA	TD62801P	
R1~14, 17~48 50~56, 59~67 89~92, 97	E21JB0360	Carbon res.		360Ω, 1/4W	
R15, 16, 49	-				Absent No
R57, 58, 68	E21JB0270	Carbon res.		270Ω, 1/4W	
R74~76	E21JB2100	Carbon res.		10KΩ, 1/4W	
C1	E31325016	Electrolytic cap.		330μF, 16V	
C2	E31336016	Electrolytic cap.		33μF, 16V	
C3	E27109025	Ceramic cap		0.01μF, 25V	
D1~20	E51S2075K	Diode		1S2075K	
LED1~3	E54221064	LED	SANYO	SL-9221-06A	7 seg
LED4, 5	E5417109A	LED	SANYO	SL-9171-09A	7 seg
LED6, 43	E54281050	LED	SANYO	SL-281C-50	Green
LED7, 38, 39	-				Absent No
LED8, 10~42	E54481050	LED	SANYO	SL-481C-50	Amber
LED9	E54181050	LED	SANYO	SL-181C-50	Red
SW1~11 13~20	E92080011	Push button SW	ALPS	KHC10909	
SW12	E92080009	Push button SW	ALPS	KHC10902	

优美U- **B i x 1 6 0 0 / 1 6 0 0 M R**

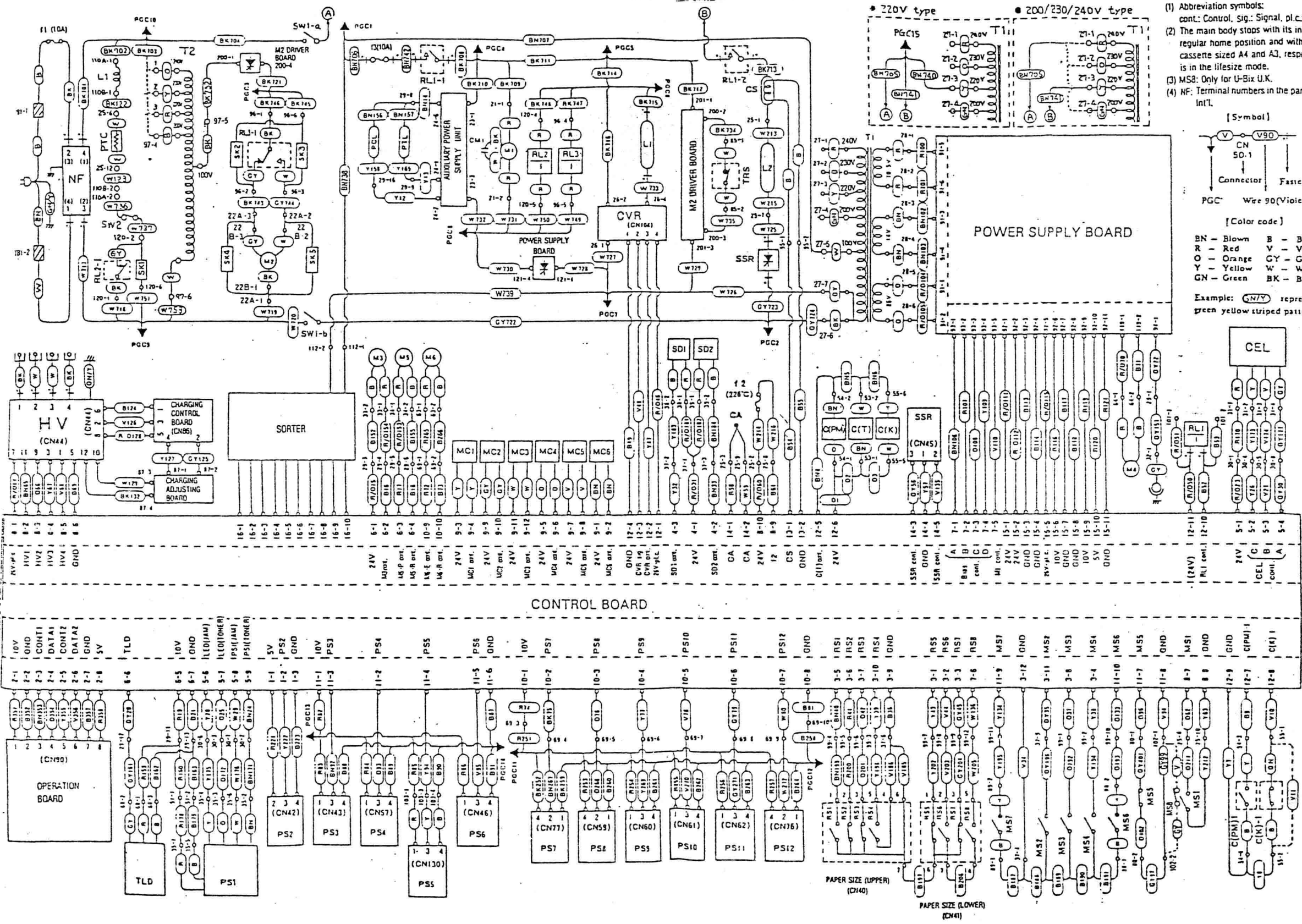
U-BIX1600 布线图(220V 50Hz)



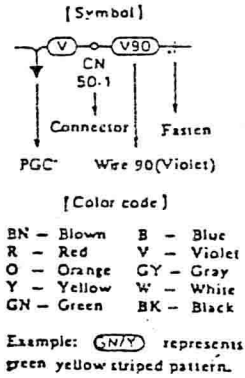
Note: * 1) AC240V/230V/200V 机器布线图见下页。

* 2) 销往英国的机器布线图见下页。

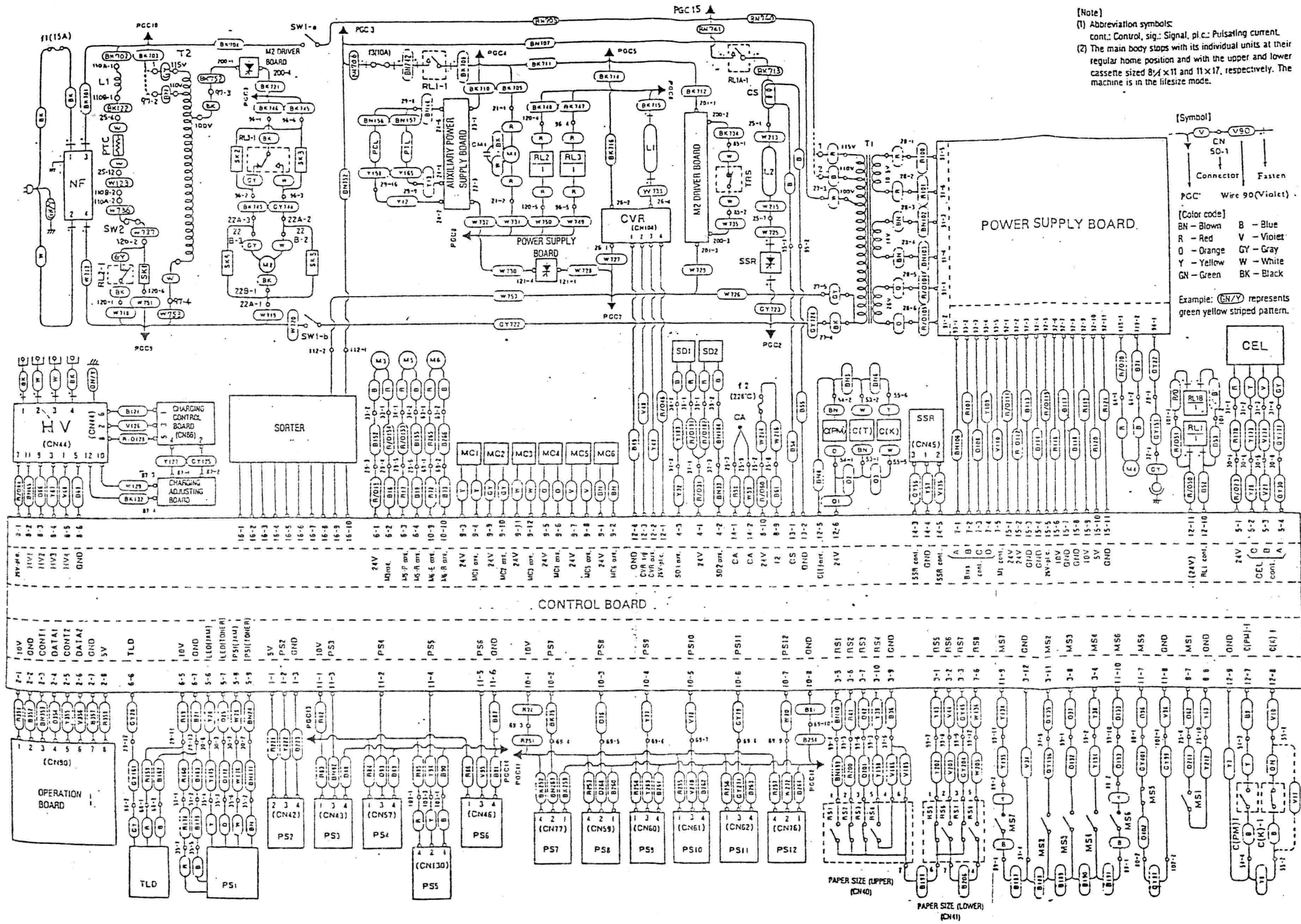
U-BIX1600MR 布线图(200~240V 50Hz)



- [Note]
- (1) Abbreviation symbols:
cont: Control, sig.: Signal, pl.c.: Pulsating current.
 - (2) The main body stops with its individual units at their regular home position and with the upper and lower cassette sized A4 and A2, respectively. The machine is in the lifesize mode.
 - (3) MS8: Only for U-Bix U.K.
 - (4) NF: Terminal numbers in the parentheses are for U-Bix Int'l.



U-BIX1600MR 布线图(110/150V 50/60Hz)



[Note]
 (1) Abbreviation symbols:
 cont.: Control, sig.: Signal, pl.c.: Pulsating current.
 (2) The main body stops with its individual units at their regular home position and with the upper and lower cassette sized 8 1/4 x 11 and 11 x 17, respectively. The machine is in the lifesize mode.

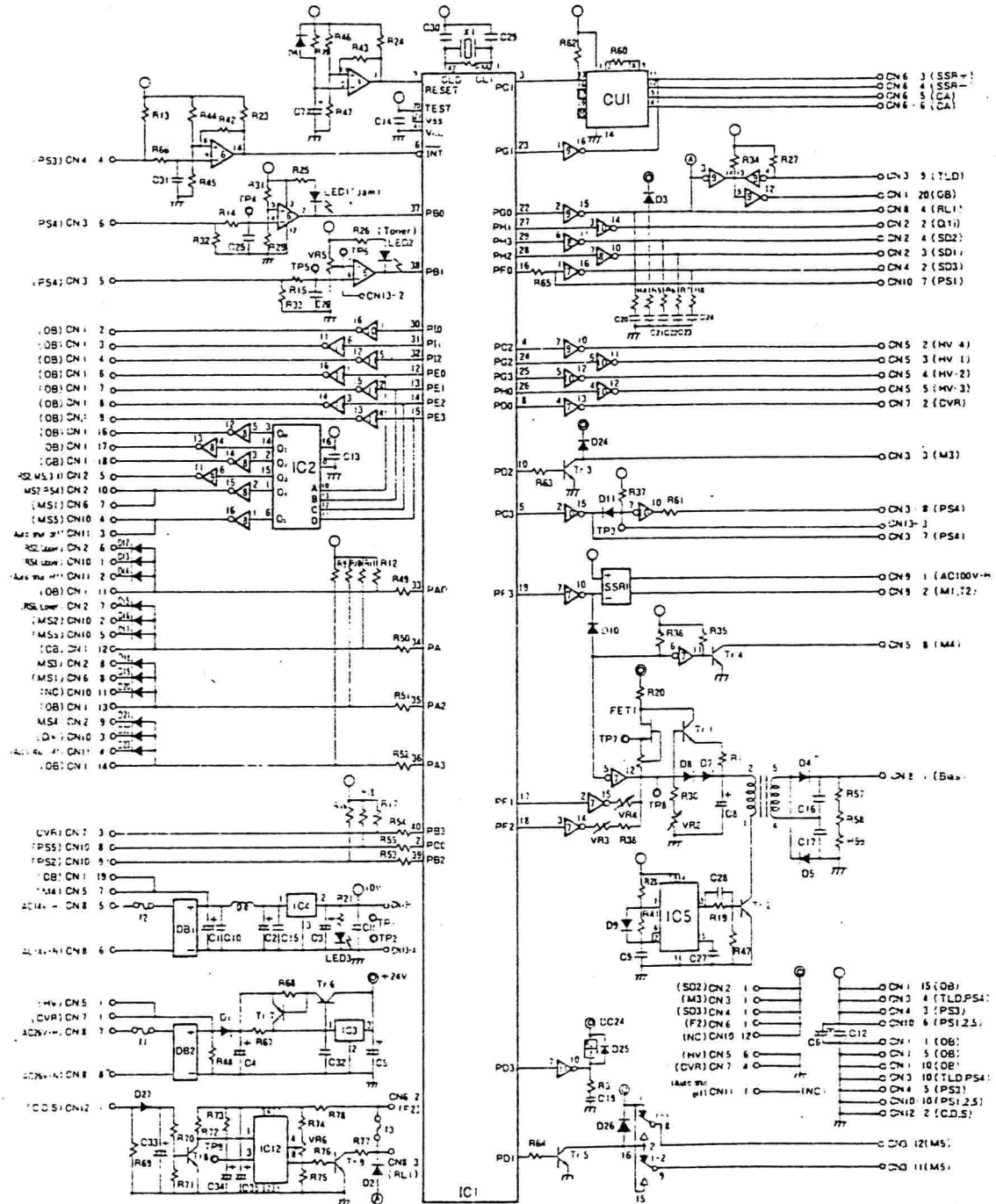
[Symbol]

 Connector

 Fasten
 PGC: Wire 90(Violet)
 [Color code]
 BN - Blown B - Blue
 R - Red V - Violet
 O - Orange GY - Gray
 Y - Yellow W - White
 GN - Green BK - Black
 Example: represents green yellow striped pattern.

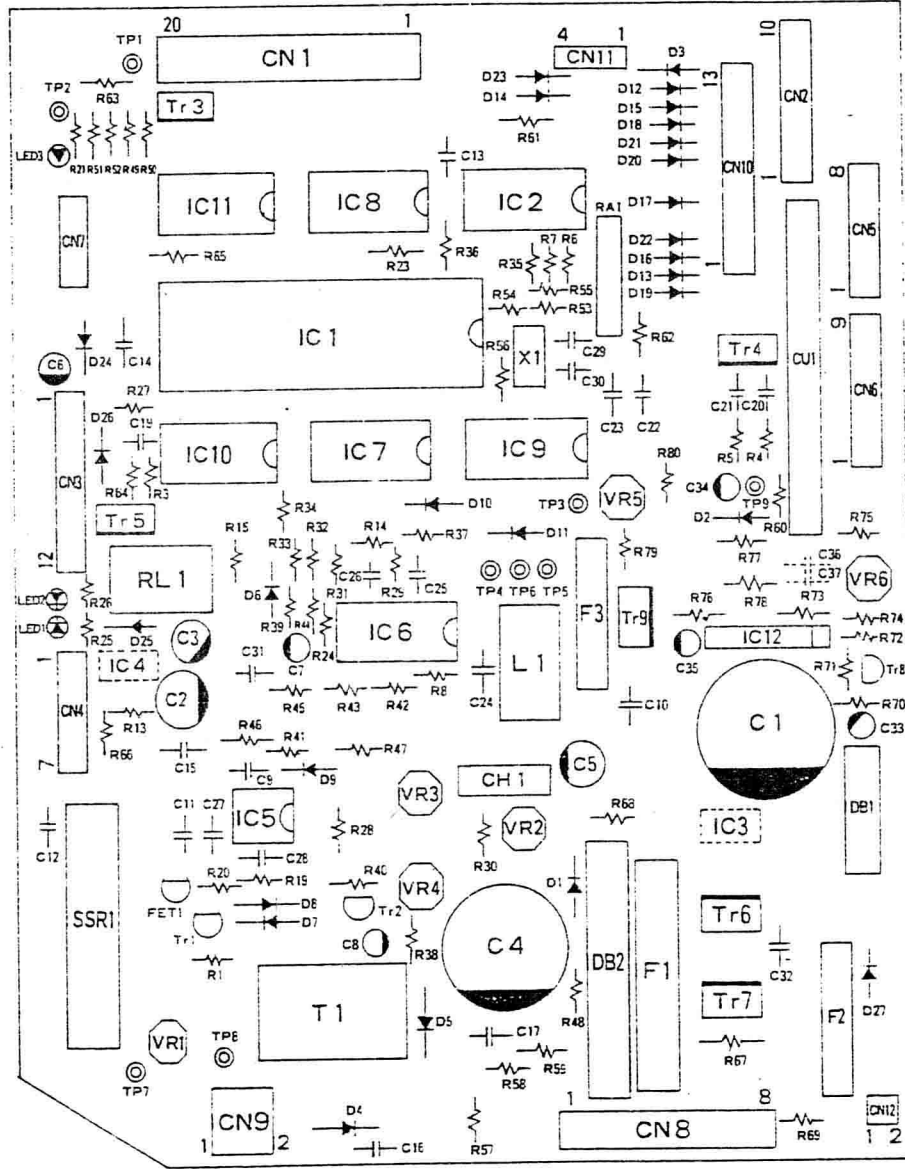
U-BIX1600 主控板电路图

● CIRCUIT



U-BIX1600 主控板布线图

●LAYOUT



●PARTS LIST

Symbol	Parts No	Name	Spec or Typc	Remarks	Symbol	Parts No	Name	Spec or Type	remarks
IC1	300088060	IC (Micro processor)	μPDS487		R66	75	E21333014	Carbon resistor	33KΩ 1/4W
IC2	E46140288	IC (Decoder)	MC140288CP		R67		E21120012	Carbon resistor	12KΩ 1/2W
IC3	E437824UC	IC (Regulator)	HA17824		R68		E23475021	Metalic coating resistor	0.47KΩ 2W
IC4	E437810UC	IC (Regulator)	78010AP		R73		E21163014	Carbon resistor	18KΩ 1/4W
IC5	E43+NE555	IC (Timer)	NE555		R74		E21233014	Carbon resistor	22KΩ 1/4W
IC6	E43M2901M	IC (Comparator)	LM2901M		R77		E21220012	Carbon resistor	22KΩ 1/2W
IC7	E43N2004A	IC (Inverter)	μPA2004C		R78		E23152011	Metalic coating resistor	5KΩ
IC12	E4351845L	IC (Timer)	M51845L		R79	80	E21561014	Carbon resistor	560Ω
CU1	E98030001	Control Unit							
Tr1	E41250667	Transistor	2SD667		VR1		E91200001	Variable resistor	1KΩ EVN-36G
Tr2	E41C9445D	Transistor	2SC944		VR2	4, 6	E91300002	Variable resistor	10KΩ EVN-36G
Tr3	E41250560	Transistor	2SD560		VR3		E91300003	Variable resistor	30KΩ EVN-36G
Tr6	E4125A770	Transistor	2SA770		VR5		E91300004	Variable resistor	9KΩ EVN-36G
Tr7	E41C1815Y	Transistor	2SC1815						
FET1	E41K30AGR	Field effect transistor	2SK30A-GR						
DB1	E52+KBL02	Rectifier	KBL02						
DB2	E52+BC02	Rectifier	BC02						
LED1	E54TLR102	Light emitting diode	TLR102	Red					
LED3	E54TLG102	Light emitting diode	TLG102	Green					
D1	E51+GP150	Diode	GP150						
Tr2, 3, 24	E51+1002	Diode	1002						
D4	E51+F114F	Diode	F114F						
D6	E51S1588	Diode	1S1588						
RA1	E95300004	Resistor array	820Ω - 7.1/8W						
R1	E21510014	Carbon resistor	51Ω 1/4W		IC25	27	E37100050	Ceramic capacitor	1000pF 50V
R3	E21121014	Carbon resistor	120Ω 1/4W		IC28	37	E37109050	Ceramic capacitor	0.01μF 50V
R5	E21102014	Carbon resistor	1KΩ 1/4W		IC29		E37221050	Ceramic capacitor	220pF 50V
R2	E21822014	Carbon resistor	2.2KΩ 1/4W		IC30		E37121050	Ceramic capacitor	120pF 50V
R29	E21362014	Carbon resistor	3.6KΩ 1/4W		IC32		E35338050	Tantalum capacitor	0.33μF 50V
R30	E21432014	Carbon resistor	4.3KΩ 1/4W		IC33		E37106035	Electricity capacitor	10μF 35V
R31	E21472014	Carbon resistor	4.7KΩ 1/4W		IC34		E31477016	Electricity capacitor	4.7μF 16V
R32	E21512014	Carbon resistor	5.1KΩ 1/4W		IC36		E36475050	Ceramic capacitor	470μF 50V
R38	E21562014	Carbon resistor	5.6KΩ 1/4W						
R3	E21103014	Carbon resistor	10KΩ 1/4W		SSR		E18S3G44S	Solo state relay	TSS3G44S
R42	E21153014	Carbon resistor	15KΩ 1/4W		IL1		E99020001	Coil	SF-TB-50S
R44	E21303014	Carbon resistor	30KΩ 1/4W		IT1		E93300001	Pulse trans	SJ22A.F
R48	E21513014	Carbon resistor	51KΩ 1/4W		X1		E98026001	Ceramic resonator	CSB400A 400KHz
R56	E21105014	Carbon resistor	1MΩ 1/4W						
R57	E21305014	Carbon resistor	3MΩ 1/4W						
R60	E21433014	Carbon resistor	43KΩ 1/4W						
R61	E21271012	Carbon resistor	270Ω 1/2W						
R63	E21622014	Carbon resistor	6.2KΩ 1/4W						

U-BIX1600MR 主控板电路图(A型)

[注]
 (1)微处理机电路请参见135页。
 (2)符号 代表下图示的晶体管。

CIRCUIT

