

外研版

北大绿卡

BEIJING UNIVERSITY
Permanent Resident Card



课课大考卷

KEKE DAKAOJUAN

锁定新教材

瞄准新考纲

创设新题型

英语

五年级上



主编 张美兰

东北师范大学出版社 长春

编者名单

主 编:张美兰

编 者:刘雅虹 赵明非 张庆丽

彤姗姗 李 娜

图书在版编目(CIP)数据

北大绿卡:外研版.课课大考卷.五年级英语.上/
张美兰主编. —长春:东北师范大学出版社,2010.6
ISBN 978 - 7 - 5602 - 6273 - 4

I. ①北… II. ①张… III. ①英语课—小学—习题
IV. ①G624

中国版本图书馆 CIP 数据核字(2010)第 120220 号

责任编辑:马绮娜 封面设计:宋 超

责任校对:石 斌 责任印制:栾喜湖

东北师范大学出版社出版发行
长春净月经济开发区金宝街 118 号(邮政编码:130117)

电话:0431—85695744 85688470

邮购热线:0431—84568163

传真:0431—85695744 85602589

网址:<http://www.nenup.com>

电子函件:sdcbs@mail.jl.cn

编辑信箱:nenupchen@yahoo.cn

广告经营许可证号:2200006000161

东北师范大学出版社激光照排中心制版

延边新华印刷有限公司印装

吉林省延吉市河南街 818 号(邮政编码:133001)

2010 年 7 月第 1 版 2010 年 7 月第 1 次印刷

幅面尺寸:148 mm×210 mm 印张:6.5 字数:52 千

定价:12.80 元

如发现印装质量问题,影响阅读,可直接与承印厂联系调换

目录

CONTENTS

Module 1	1
Unit 1 There wasn't a pond.	1
Unit 2 There are tall trees.	3
综合测试卷	5
Module 2	9
Unit 1 This one is heavy.	9
Unit 2 They sell different things.	11
综合测试卷	13
Module 3	17
Unit 1 Today is Halloween.	17
Unit 2 Easter is in spring.	19
综合测试卷	21
阶段测试卷(一)	25
Module 4	29
Unit 1 We're going to sing and dance.	29
Unit 2 Amy is going to be 11.	31
综合测试卷	33
Module 5	37
Unit 1 It's mine!	37
Unit 2 Amy's blue dress is wet.	39
综合测试卷	41
Module 6	45
Unit 1 You can play basketball well.	45
Unit 2 They got fifty points.	47

综合测试卷	49
期中测试卷	53
Module 7	57
Unit 1 This dog can help him.	57
Unit 2 It could hear the people.	59
综合测试卷	61
Module 8	65
Unit 1 They sit around tables.	65
Unit 2 There are lots of games.	67
综合测试卷	69
Module 9	73
Unit 1 Are you sad?	73
Unit 2 Zara was happy.	75
综合测试卷	77
阶段测试卷(二)	81
Module 10	85
Unit 1 You should tidy your toys.	85
Unit 2 You shouldn't be late.	87
综合测试卷	89
Review Module	93
Unit 1 I couldn't swim.	93
Unit 2 She should walk.	95
复习模块测试卷	97
期末测试卷	101
参考答案	105

北大绿卡
BEIJING UNIVERSITY
Permanent Resident Card



KeKeDaKaoJuan



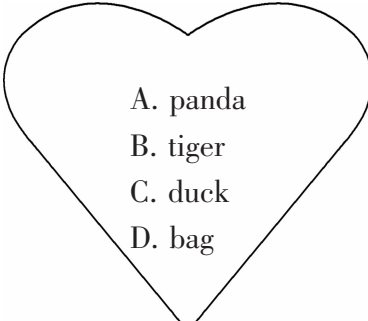
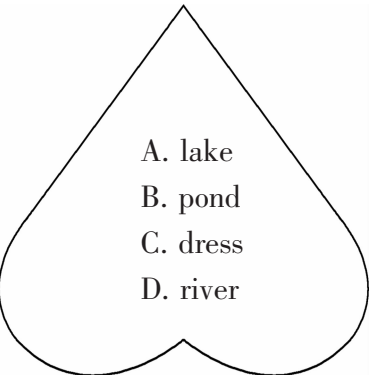
Module 1

Unit 1 There wasn't a pond.

一、词汇闯关。请将下列字母中隐藏的单词找出来，写在横线上。

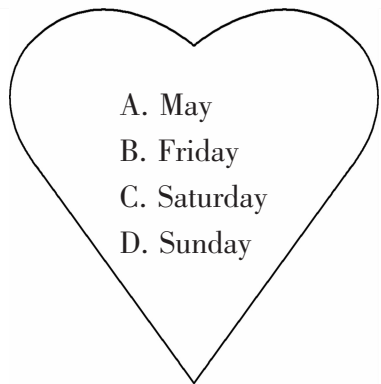
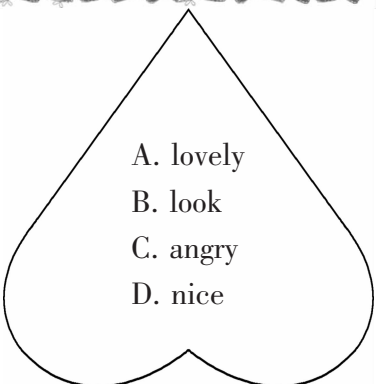
1. fdifferentz _____
2. juparkuc _____
3. nIslideyi _____
4. btpondvm _____
5. owswingck _____
6. rtbeforepi _____

二、智慧大比拼。圈出不同类的单词。

1.  2. 

A. panda
B. tiger
C. duck
D. bag

A. lake
B. pond
C. dress
D. river

3.  4. 

- A. May
B. Friday
C. Saturday
D. Sunday

- A. lovely
B. look
C. angry
D. nice

三、小小审判长。判断下列单词画线部分读音是 (T) 否 (F) 相同。

1. here there ()
2. London pond ()
3. to too ()
4. teacher great ()
5. apple cake ()
6. letter hen ()

四、快乐二选一。选择合适的词填在横线上。

1. You were _____ (in/to) China for two years.
2. This park _____ (is/are) different.
3. There weren't _____ (some/any) swings here before.

4. There _____ (wasn't/weren't) flowers in the park.

5. We can _____ (feed/feeds) the ducks.

6. Then let's _____ (to go/go) to feed the birds.

五、对号入座。选择合适的答案填在横线上。

() 1. He's in Shanghai _____ three days.

A. to B. for C. of

() 2. There aren't _____ swings here now.

A. any B. some C. this

() 3. There _____ some milk on the table before.

A. were B. was C. is

() 4. There was _____ a slide.

A. many B. any C. only

() 5. Does London _____ different now?

A. looks B. look C. looking

六、小小审判长。根据课文内容判断下列说法是 (T) 否

(F) 正确。

() 1. Amy lives in China for three years.

() 2. London looks different now.

() 3. There were some swings in the park before.

() 4. There was only a slide.

() 5. There wasn't a pond here before.

七、排排队。连词成句我最棒!

1. now, like, do, park, you, the (?)

2. was, a, there, only, zoo (.)

3. Beijing, different, now, does, look (?)



Module 1

Unit 2 There are tall trees.

一、词汇闯关。你能在下列字母中找出6个单词吗？写一写。

```

*****
*mpictureztplygroundqi*
*
*dovitreedwllittlekv
*
*htcaboutavclassroomvq
*
*zvwmpijuty
*****

```

二、智慧大比拼。写出下列动词的过去式。

- | | |
|-----------------|-----------------|
| 1. is _____ | 2. help _____ |
| 3. happen _____ | 4. finish _____ |
| 5. play _____ | 6. clean _____ |
| 7. eat _____ | 8. are _____ |
| 9. go _____ | |

三、对号入座。选择合适的答案填在括号里。

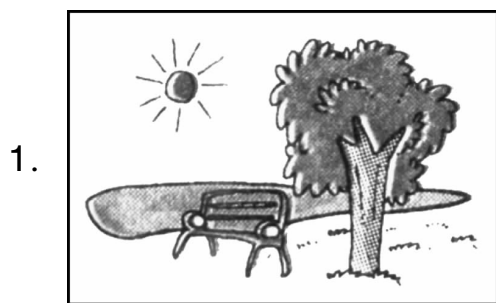
- () 1. There _____ any swings here before.
A. aren't B. was C. weren't
- () 2. Sam was in England _____ two years.
A. for B. in C. of
- () 3. _____ you like the park now?
A. Are B. Do C. Does
- () 4. Look at the picture _____ our school.
A. of B. to C. off
- () 5. There are chicks here _____ the floor.
A. in B. at C. on
- () 6. How _____ your school?
A. on B. about C. of

四、玩练总动员。选词填空完成句子。

There is	There isn't
There was	There wasn't
There are	There aren't
There were	There weren't

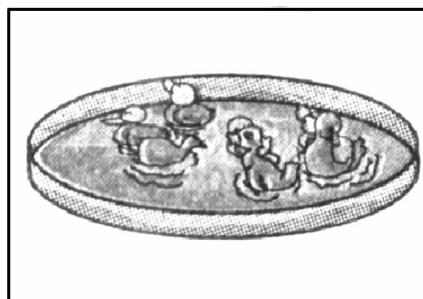
1. _____ a map on the wall now. There is only a picture.
2. _____ any big desks in the classroom before.
3. _____ a duck before. There was only a dog.
4. _____ any books on the desk now.
5. _____ a bag before.
6. _____ some trees here now.
7. _____ some bread on the table now.
8. _____ small desks in the room before.

五、句子乐园，根据图画内容填空。



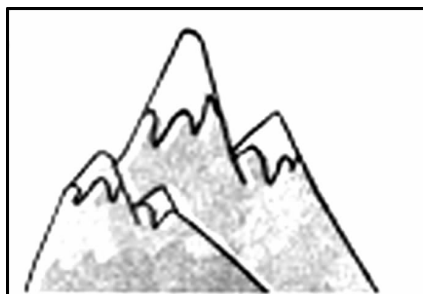
There _____ a chair before.

2.



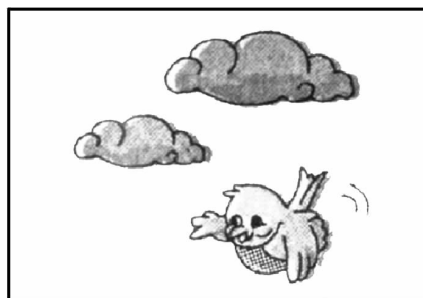
There _____ some _____ in the pond now.

3.



There _____ any flowers before.

4.



There _____ a _____ in the sky now.



Module 1

综合测试卷

(测试时间: 45 分钟 满分: 100 分)

一、词汇闯关。你能把丢失的字母找回来吗? (10 分, 每小题 2 分)

() 1. y _ _ r (年)
A. ee B. ae C. ea

() 2. d _ _ k (鸭子)
A. ua B. uc C. ue

() 3. tr _ _ (树)
A. ee B. ea C. ae

() 4. bef _ _ e (以前)
A. or B. er C. ur

() 5. playgr _ _ nd (操场)
A. au B. or C. ou

二、智慧大比拼。选出不同类的单词。(5 分, 每小题 1 分)

() 1. A. there B. the C. here

() 2. A. white B. black C. family

() 3. A. these B. different C. great

() 4. A. fish B. chick C. little

() 5. A. tree B. small C. big

三、智慧大闯关。选出下列每组单词中画线部分读音与众不同的一个。(5 分, 每小题 1 分)

() 1. A. year B. bear
C. hear D. ear

() 2. A. man B. have
C. fat D. any

() 3. A. duck B. does
C. us D. park

() 4. A. swing B. thin
C. slide D. in

- () 5. A. where B. there
 C. here D. fear

四、对号入座。选择合适的答案填在括号里。(20分, 每小题2分)

- () 1. There _____ any trees here before.
 A. weren't B. aren't C. were
- () 2. _____ your school look different now?
 A. Did B. Does C. Do
- () 3. _____ you like your school now?
 A. Does B. did C. Do
- () 4. Let's _____ to feed the ducks.
 A. go B. to go C. going
- () 5. There were _____ little trees.
 A. lot of B. a lots of C. lots of
- () 6. How _____ you?
 A. / B. about C. is

- () 7. Now there _____ a swing.
 A. was B. are C. is
- () 8. You are in China _____ two years.
 A. for B. to C. in
- () 9. There _____ a slide.
 A. was only B. only was C. were only
- () 10. Do you _____ the zoo now?
 A. likes B. like C. to like

五、对对碰。从II栏中选出与I栏句子相应的汉意。(10分, 每小题2分)

I

- () 1. There was only a slide.
- () 2. There is a big playground.
- () 3. There are some beautiful flowers.
- () 4. We can feed the birds.
- () 5. He is in Beijing for two days.

II

- A. 这儿有一些美丽的花。
B. 他在北京待两天。
C. 这儿有一个大操场。
D. 我们能喂小鸟。
E. 这儿只有一个滑梯。

六、对对碰。从 II 栏中选出 I 栏句子的相应答语。(10分, 每小题 2 分)

I

- () 1. Does Nancy look different now?
() 2. What do you want?
() 3. Do you like the school now?
() 4. Is this dress beautiful?
() 5. Are there a tree on the playground?

II

- A. Yes, I do.
B. No, she doesn't.
C. Yes, there are.
D. I want a hamburger.
E. Yes, it is.

七、玩练总动员。选词填空完成句子。(10分, 每小题 2 分)

were, are, weren't, was, couldn't

1. I _____ swim before. But I can swim now.
2. There _____ any ducks in the pond before.
3. There _____ some books on the desks now.
4. There _____ a swing here before.
5. There _____ some trees before.

八、句子乐园。用 **before** 改写下列句子。(10分, 每小题 2 分)

1. Are there any trees here now?

2. There is a slide in the playground.

3. There are lots of flowers in the park.

4. This is a lovely duck.

5. There are some flowers in our school.

九、句子乐园。句型转换。(10分, 每小题2分)

1. Do you like the park? (作否定回答)

2. There were some trees in the school. (改为一般疑问句)

3. There was a duck in the playground. (改为否定句)

4. There are big desks in the classroom. (改为过去时态)

5. There was a chick here on the floor. (改为复数句子)

十、阅读小能手。(10分, 每小题2分)

(*Sam and Amy are talking about their classroom.*)

Sam: There wasn't a TV in our classroom before, but there is a TV and a computer in our classroom now, so we can watch TV in our class. I like it very much.

Amy: Look! There were small desks in the classroom before. But there are big desks and chairs in it.

Sam: Do you like our classroom?

Amy: Yes, I do.

根据短文内容, 判断正(T) 误(F)。

() 1. There was a computer in the classroom before.

() 2. There wasn't a TV in the classroom before.

() 3. They can watch TV in their class now.

() 4. There were some big desks in the classroom before.

() 5. Sam doesn't like his classroom.



Module 2

Unit 1 This one is heavy.

一、词汇闯关。补全单词并写出汉语意思。

- | | |
|---|--|
| 1. <div style="border: 1px solid black; padding: 5px; display: inline-block;">sw _ _ t
()</div> | 2. <div style="border: 1px solid black; padding: 5px; display: inline-block;">h _ _ vy
()</div> |
| 3. <div style="border: 1px solid black; padding: 5px; display: inline-block;">h _ lpf _ l
()</div> | 4. <div style="border: 1px solid black; padding: 5px; display: inline-block;">l _ ft
()</div> |
| 5. <div style="border: 1px solid black; padding: 5px; display: inline-block;">se _ l
()</div> | 6. <div style="border: 1px solid black; padding: 5px; display: inline-block;">e _ _
()</div> |
| 7. <div style="border: 1px solid black; padding: 5px; display: inline-block;">fr _ _ t
()</div> | 8. <div style="border: 1px solid black; padding: 5px; display: inline-block;">b _ g
()</div> |
| 9. <div style="border: 1px solid black; padding: 5px; display: inline-block;">m _ n
()</div> | |

二、智慧大比拼。按要求完成下列各词。

- | | |
|--|---|
| 1. <div style="border: 1px dashed black; padding: 5px; display: inline-block;">family
(复数)</div> _____ | 2. <div style="border: 1px dashed black; padding: 5px; display: inline-block;">small
(反义词)</div> _____ |
| 3. <div style="border: 1px dashed black; padding: 5px; display: inline-block;">help
(形容词)</div> _____ | 4. <div style="border: 1px dashed black; padding: 5px; display: inline-block;">come
(反义词)</div> _____ |
| 5. <div style="border: 1px dashed black; padding: 5px; display: inline-block;">sweet
(复数)</div> _____ | 6. <div style="border: 1px dashed black; padding: 5px; display: inline-block;">can not
(缩写形式)</div> _____ |

三、对号入座。根据课文内容完成下列各题。

- () 1. Amy and Lingling are going to _____.
- A. the park
B. the supermarket
C. the cinema
- () 2. These bags are _____. I can't lift it.
- A. light B. small C. heavy
- () 3. There are many _____ in the supermarket.
- A. dolls and toys
B. fruits and sweets
C. swings and slides

() 4. —Is there a swing in the supermarket?

—_____

- A. Yes, there is.
- B. No, there is.
- C. Sorry, I don't know.

() 5. —Is it a big supermarket?

—_____

- A. Yes, it isn't.
- B. No, it isn't.
- C. Yes, it is.

() 6. —Who helped Lingling to put the bags in the car?

—_____.

- A. Sam B. Amy C. Ms Smart

() 7. —What did Ms Smart give them?

—_____.

- A. Ice creams B. Sweets C. Fruits

四、对对碰。给句子选择相应的汉语意思。

- () 1. We're going to go to the park.
- () 2. What a big supermarket!
- () 3. This one is heavy.
- () 4. Let me help you.

() 5. There are many sweets.

- A. 好大的超市啊!
- B. 这里有许多糖果。
- C. 这个很重。
- D. 我们打算去公园。
- E. 让我帮助你。

五、排排序。根据情境，给下列句子重新排序。

- A. You can buy one thing. What do you want, Sam?
- B. Can I have some sweets?
- C. OK. And you, Lingling?
- D. I want an ice cream, Mum.
- E. Yes, you can.

正确顺序: _____

六、排排队。连词成句我最棒!

1. lift, can't, it, I (.)

2. are, children, you, helpful (.)

3. too, are, there, fruits, many (.)



Module 2

Unit 2 They sell different things.

一、词汇闯关。你能在下列字母中找出隐藏的6个单词吗？圈一圈，写一写，并写出汉意。

unsupermarketzisellqi
opvrestaurantdvc
htcountryavclotheswz
zvsometimesjuyi

_____ () () ()

_____ () () ()

二、智慧大比拼。判断下列每组单词画线部分发音是 (T) 否 (F) 相同。

() 1. pear wear () 2. sell spell

() 3. white shirt () 4. child lift

() 5. help tell () 6. were there

三、智慧大闯关。按要求完成下列词。

1. sell (反义词)

2. here (反义词)

3. go (反义词)

4. big (反义词)

5. country (复数)

6. family (复数)

7. tomato (复数)

8. is (复数)

四、快乐二选一。选择合适的词填在横线上。

1. Many _____ (English/England) supermarkets are big.

2. What _____ (does/do) you want?
3. I'm going _____ (shoping/shopping) with my mum.
4. There are fruits _____ (at/on) the supermarket.
5. Many People go to the supermarket _____ (together/together).

五、玩练总动员。根据课文内容，从备选栏中选词完成对话。

sometimes English sell countries at from are

Many 1 supermarkets 2 very big.
 They 3 different things. They sell food
 4 lots of 5 .
 6 there are restaurants 7 the
 supermarket.

1. _____ 2. _____ 3. _____
4. _____ 5. _____ 6. _____
7. _____

六、句子乐园。用所给词的适当形式填空。

1. She's _____ (listen) to music now.
2. Please help _____ (he).
3. They _____ (come) tomorrow.
4. He usually _____ (help) his mother on Sundays.
5. I can _____ (run) fast.

七、排排队。连词成句我最棒!

1. buy, I'm, book, to, going, a (.)

2. you, do, what, want (?)

3. clothes, also, they, toys, sell, and (.)

4. want, T-shirt, I, white, a (.)

5. an, cream, have, ice, please (.)



Module 2

综合测试卷








(测试时间: 45 分钟 满分 100 分)

一、词汇闯关。你能把丢失的字母找回来吗? (5 分, 每小题 1 分)


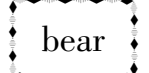



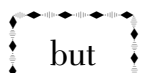



- () 1. y _ _ r (年)
A. ee B. ea C. ue
- () 2. h _ _ vy (重的)
A. ea B. ee C. ec
- () 3. se _ _ (卖)
A. lt B. ll C. el
- () 4. d _ _ k (鸭子)
A. ue B. ua C. uc
- () 5. l _ ft (提)
A. i B. a C. f

二、智慧大比拼。写出下列单词的复数形式。(9 分, 每小题 1 分)

1.  _____ 2.  _____

3.  _____ 4.  _____
5.  _____ 6.  _____
7.  _____ 8.  _____
9.  _____

三、智慧大闯关。改变下列单词中的一个字母使其成为新单词并写出汉语意思。(9 分, 每小题 1 分)

1.  () _____ 2.  () _____
3.  () _____ 4.  () _____
5.  () _____ 6.  () _____
7.  () _____ 8.  () _____
9.  () _____

四、对号入座。选择合适的答案填在括号里。(22分, 每小题2分)

- () 1. _____ a good girl!
A. How B. What C. Where
- () 2. I usually go home _____ my sister.
A. with B. and C. of
- () 3. Give him _____ ice cream, please.
A. / B. a C. an
- () 4. This one is too _____. I can't lift it.
A. small B. light C. heavy
- () 5. Many _____ go to the supermarket together.
A. families B. family C. familys
- () 6. Sweets and fruits are _____ I want.
A. what's B. what C. how
- () 7. He is a _____ boy. We like him a lot.
A. help B. helping C. helpful
- () 8. Let's _____ the pigs.
A. to feed B. feeds C. feed
- () 9. There are _____ of big supermarkets is

Beijing.

- A. lots B. lot C. a lots
- () 10. We will go _____ on Friday.
A. shop B. shopping C. shoping
- () 11. I have _____ sweets.
A. much B. little C. many

五、对对碰。从Ⅱ栏中选择Ⅰ栏句子的答语。(5分, 每小题1分)

I

- () 1. What do you want?
- () 2. Here you are.
- () 3. What a big supermarket!
- () 4. Does China look different now?
- () 5. Do you like the park?

II

- A. Yes, it does.
- B. Yes, it is.
- C. Thank you.
- D. I want some sweets.
- E. Yes, I do.